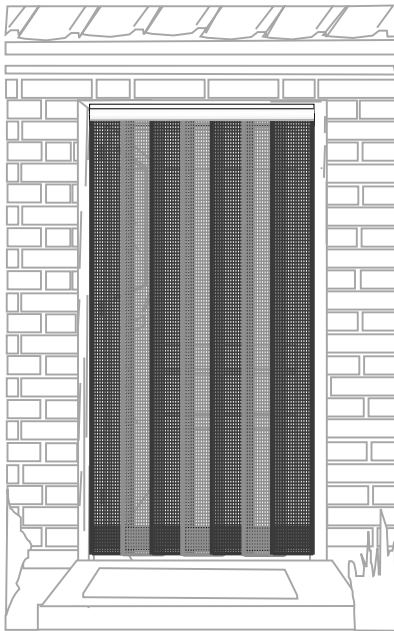


[www.flydor.co.uk](http://www.flydor.co.uk)

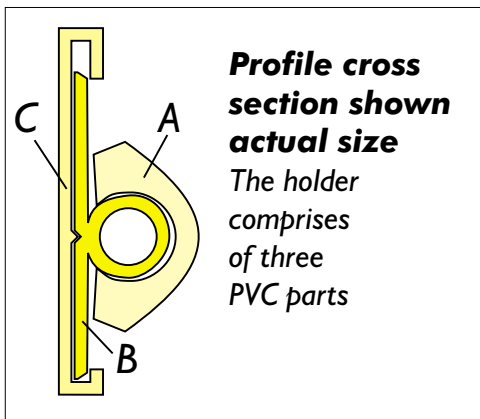
## A Mesh Strip Curtain

consists of a 3 part PVC holder suspending a number of mesh strips. The mesh is 'Suntex' (polyester yarn with a PVC coating). Colour is black, grey or combination as special order.

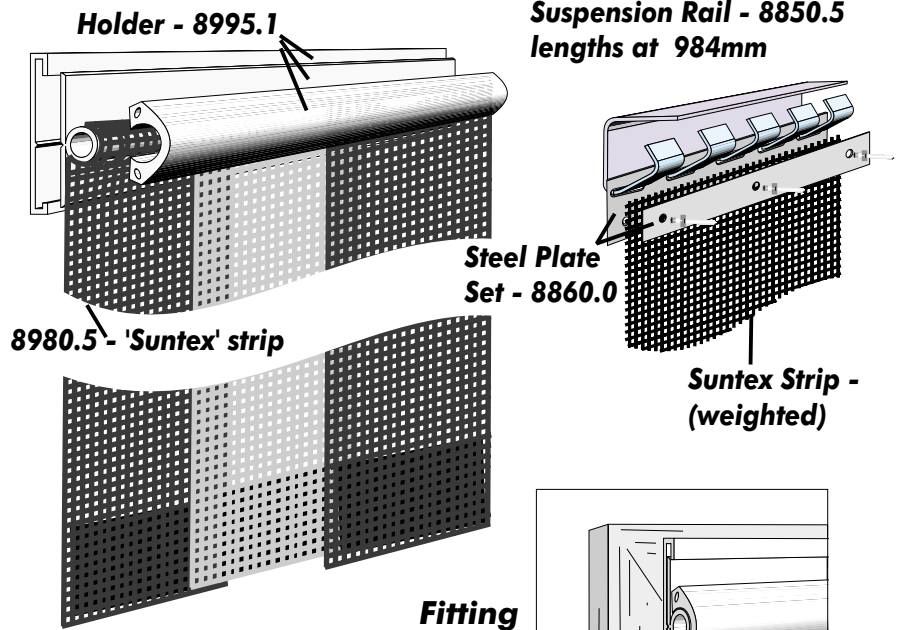
The Strip Curtain allows easy passage for pedestrians and fresh air, but NOT for insects!



**Outside View of SCD**



# Mesh Strip Curtain



### Note on fitting:

The holder requires 50mm of space but a minimum of 25mm overlap onto the door frame.

### The Easy Answer...

It provides an answer for some applications where fitting a conventional flyscreen door may prove awkward. I.e. to overcome handles etc. Waterproof, durable and recommended for light commercial or heavy domestic use it is also extremely easy to install and remove when not required..

**Assembly** is by sandwiching parts A & B of the holder together onto the overlapping strips. Once part C of the holder (backing plate) has been secured above the door, the curtain is slotted in or out as required.

A **Stainless Steel rail** (see illustration above) is a recommended option for tall Strip Curtain Doors.

### Sizes

Standard 'Suntex' strips are black, 100 or 150mm wide and 2.35m long, with a single zinc plated steel weight. Specials include standard strips with rubber weights and 200mm strips with two metal weights up to 3m long.

## Strip Curtain Door