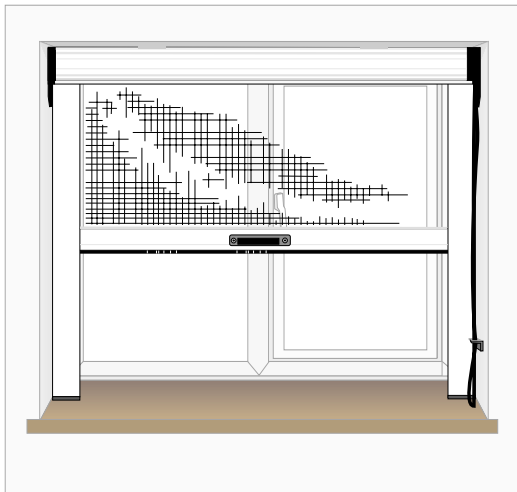


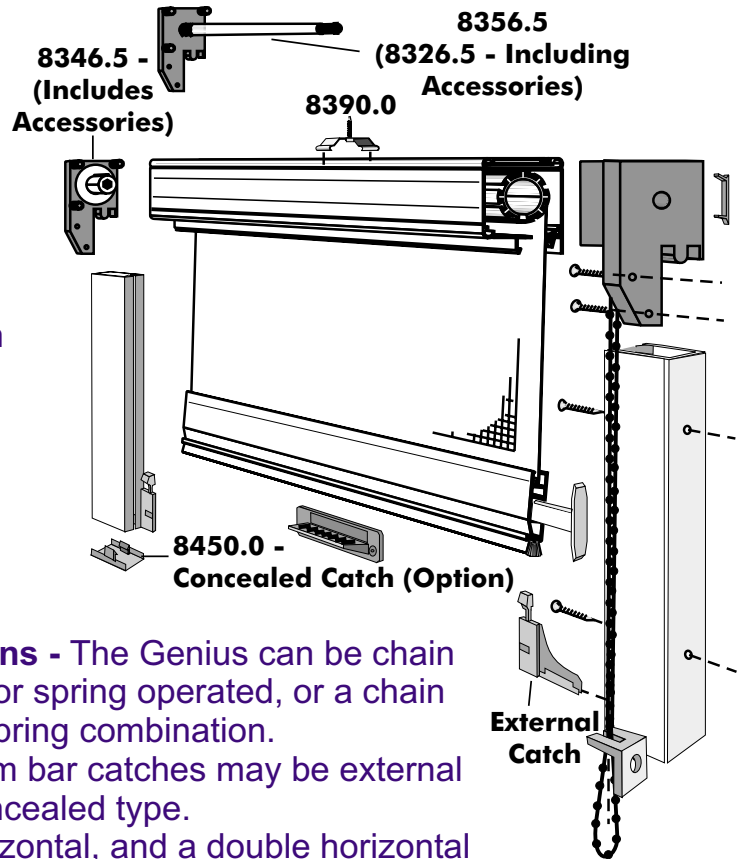
[www.flydor.co.uk](http://www.flydor.co.uk)

**The Genius Vertical Roller Flyscreen** incorporates all the benefits of a roller style system. One major advantage is that the flyscreen mesh retracts neatly into the cassette when closed. The Genius system uses our standard 18x16 fibreglass charcoal mesh.



Above - Genius Roller shown reveal fitted.

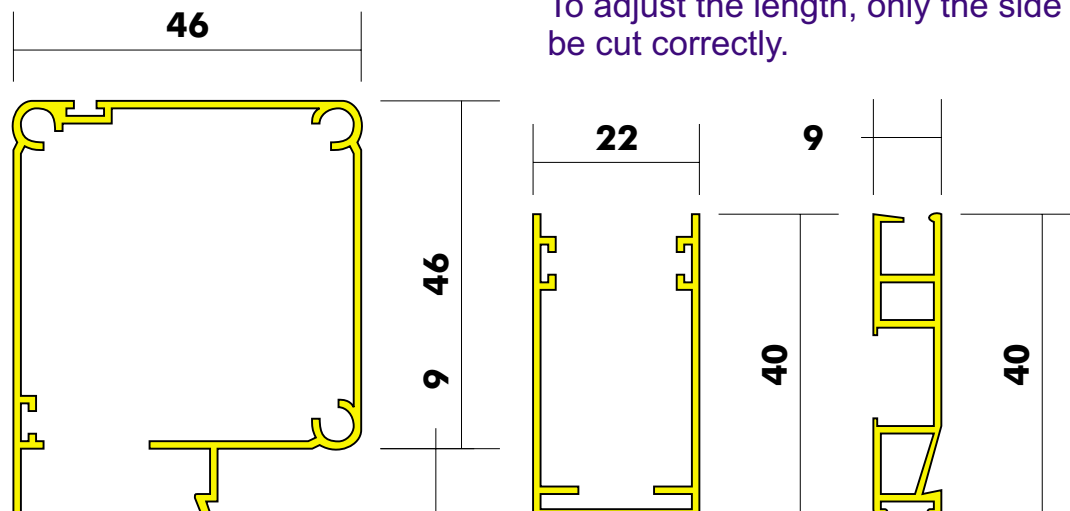
Flydor can supply fully manufactured screens, kits or components for the Genius.



**Options** - The Genius can be chain drive or spring operated, or a chain and spring combination. Bottom bar catches may be external or concealed type. A horizontal, and a double horizontal version is also available. Face fix brackets allow the blind to be face fixed.

**Sizes** - The recommended maximum size of the Genius system is 2 metres square. The cassette comes pre-loaded with 1750mm or 2600mm drop mesh.

**Adaptability** - To adjust the blind width, only the cassette needs to be cut to the correct size. To adjust the length, only the side guides need to be cut correctly.



**Left:** Dimensions of Cassette Case, Side Guides & Bottom Bar.

## Genius Roller Screen