

Genius Horizontal Roller Screen

www.flydor.co.uk

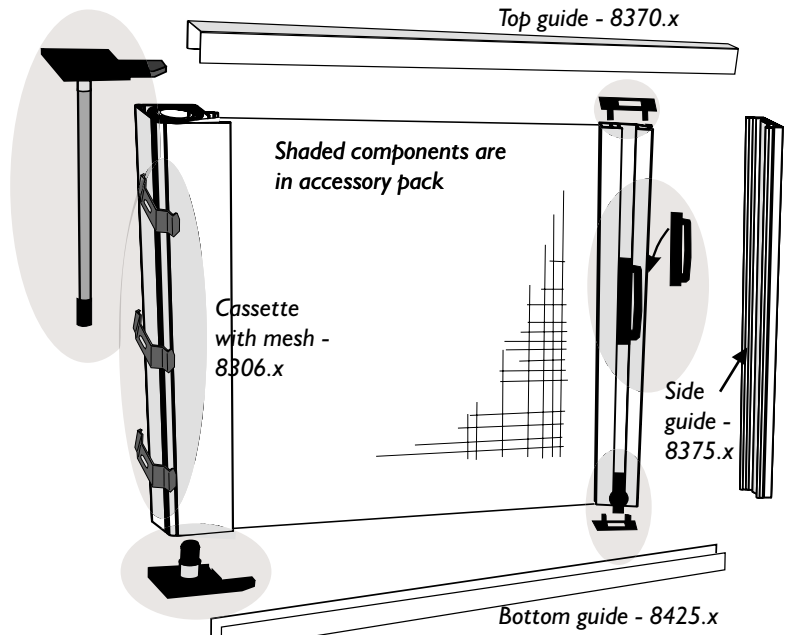
The Genius Horizontal Roller Screen Door is made from strong extruded aluminium profile and is suitable for domestic applications, patio, French doors, single or double cassette.

One major advantage is that the flyscreen mesh retracts neatly into the cassette when closed.

The Genius system uses our standard 18 x 16 fibreglass mesh.

This style of blind is easily cleaned and maintained.

Closure is via a strong magnetic strip for positive closing.



Genius Horizontal components

Options -

Available with white hardware (Brown - Special Order).

This style of screen can be fitted to most types of door frames. It may be face or reveal fitted. Face fitting requires an additional accessory pack. (Please specify when ordering.)

Sizes -

The maximum width with a single cassette is 1400mm wide.

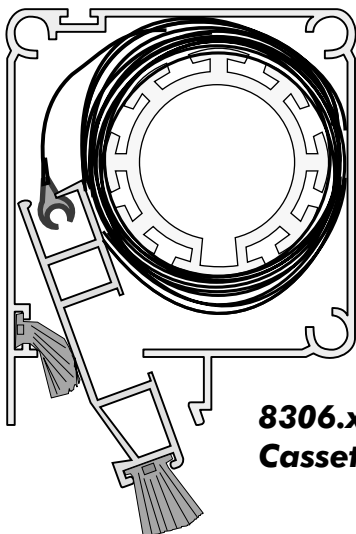
Height of any blind should not exceed 2500mm. For widths greater than 1400mm to the maximum recommended of 2400mm two cassettes are required - please order double door.

Adaptability -

To adjust the blind width, only the cassette needs to be cut to size. To adjust the length, only the side guides need to be cut to size.

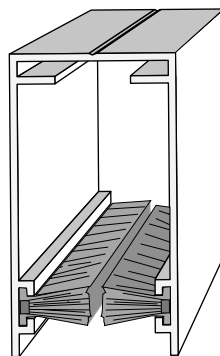
Available as...

Flydor can supply fully manufactured screens, kits or components for this system.

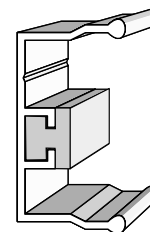


8306.x - Cassette

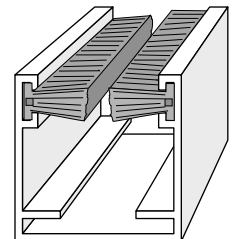
Profiles, as below, scale 1:1



8370.x - Top Guide



8375.x - Side Guide - including magnetic strip



8425.x - Bottom Guide

Genius Horizontal Door Screen